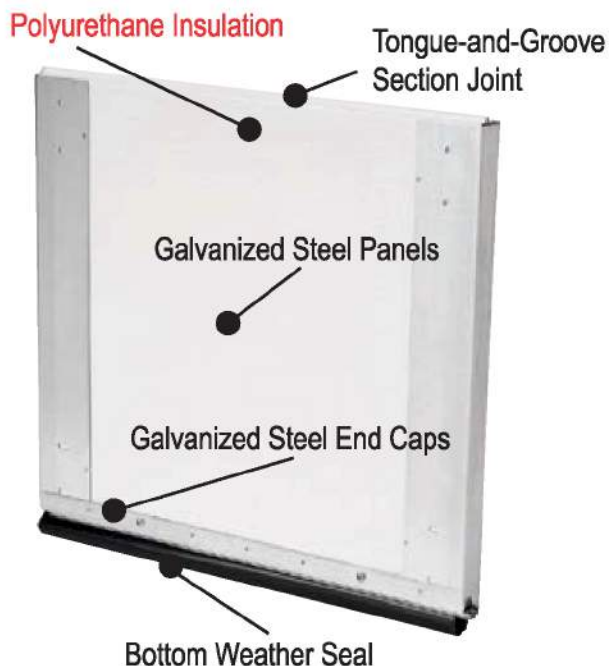




Ameri-Therm R138

Insulated Garage Door • 11 R-Value



- **1½" Thick Door Sections** with unitized body construction which creates excellent durability and insulation. Foamed in place polyurethane insulation with an R-value of 11.
- **Tongue-and-Groove Section Joints** with full width bottom weather seal to protect against wind and rain. Helps keep garage interior moisture free.
- **Galvanized Finish** with woodgrain textured surface provides beauty, adds strength and protection.
- **Colors** for panel sections are available in white, taupe or almond, but can be painted any color to match your home.
- **Lifetime Limited Warranty**

American Garage Door Features

American garage doors are known for making good first impressions. Lasting impressions, too. Every American garage door is engineered for smooth, dependable operation. Each is carefully constructed from select materials for longer life. Even more importantly, the beauty of a quality American garage door adds to any home's appreciation.

Here are some of the features of the Ameri-Therm R138:

Colonial or Elongated* Raised Panel Popular panel designs provide added dimension to door exterior.

Top Glazing Windows are built into top section of door.

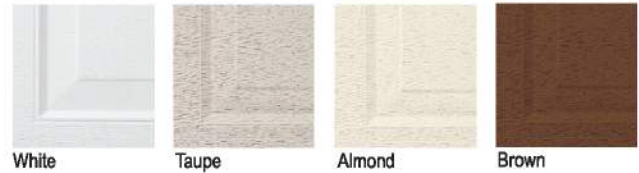
Intermediate Glazing Windows are built into intermediate section of door.

Insulation Helps keep garage warmer in winter, cooler in summer.

Hardware Heavy-duty, commercial-quality, 14-gauge hinges are the top-of-the-line choice.

Springs Select hard-drawn, high-tensile wire extension springs or smooth operation, long-life oil-tempered torsion springs.

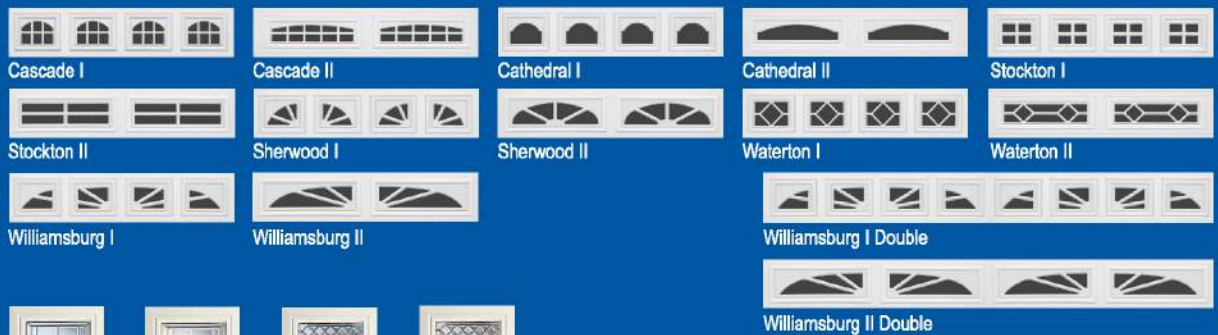
Paintable Ameri-Therm R138 steel garage doors are prefinished in your choice of white, taupe or almond, however, they can be painted to match the home's exterior trim.



* Elongated panel available in white and almond only.

Window Options

StyleLine™ Design Inserts



Décor™ Lites

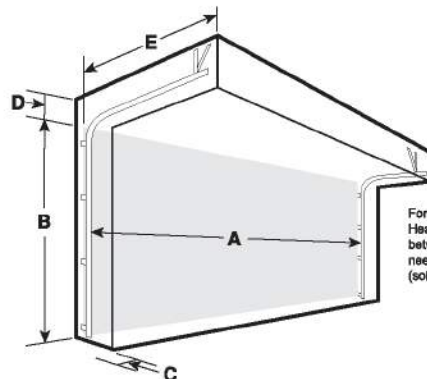


How to Measure

The dimensions illustrated below are critical to ensure a good fitting, smooth operating garage door. You'll get a great fit, whether your door is installed professionally or you do it yourself.

NOTE: If the door is motor operated, allow an extra 2.5" headroom and 12" depth.

- (A) Width, finished door opening.
- (B) Height, finished door opening.
- (C) Sideroom, distance from edge of finished door opening to wall or other obstruction.
- (D) Headroom, distance from top of finished door opening to ceiling or underside of joists.
- (E) Depth, distance from finished door opening back to furthestmost point where hardware or electric opener will extend.



This clearance chart will help you determine if you need any special hardware because of space restrictions. 12" Radius Track is standard.

Clearance Chart	Headroom (D)	Sideroom (C)	Depth (E)
12" Radius Track	11"	3½"	Opening Height Plus 14"
12" Radius Track with Low Headroom Kit	7"		
Double Track Low Headroom	6"	3½"	Opening Height Plus 24"

For example, if your Headroom (D) measures between 7" - 11" you will need a low headroom kit (sold separately).



WWW.AMERICANDOORANDSUPPLY.COM